



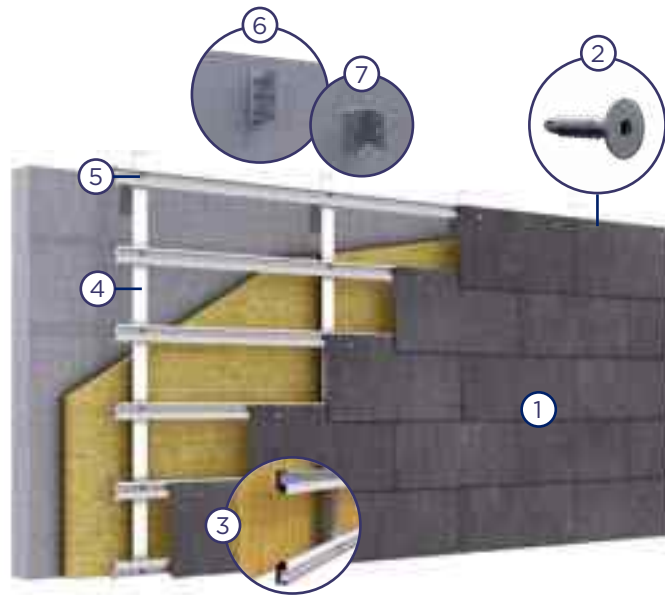
CUPACLAD
by CUPAGROUP

NATURAL SLATE RAINSCREEN
CLADDING SYSTEMS

SYSTEM COMPONENTS

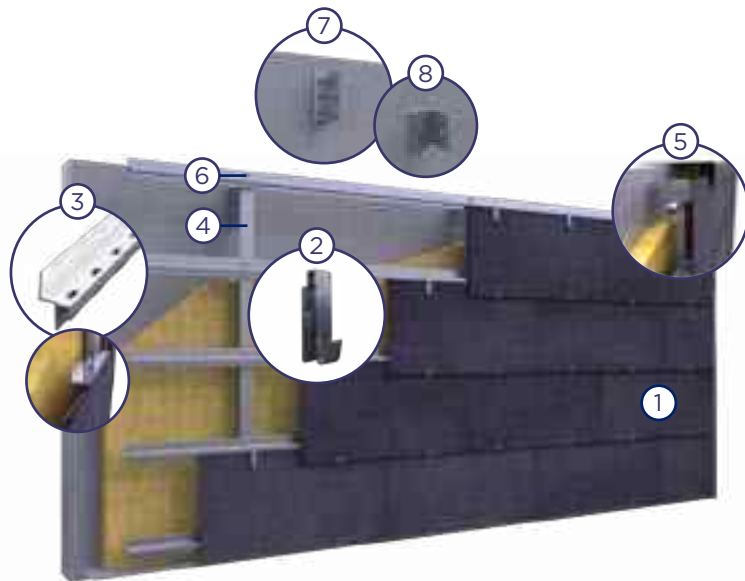
CUPACLAD® 101 *Logic*

- ① CUPACLAD® Natural slate
- ② 101 self-tapping screw
- ③ 101 horizontal batten
- ④ Vertical "L"
- ⑤ Self-tapping screw (substructure)
- ⑥ Metal bracket (fixed point)
- ⑦ Metal bracket (sliding point)



CUPACLAD® 201 *Vanguard*

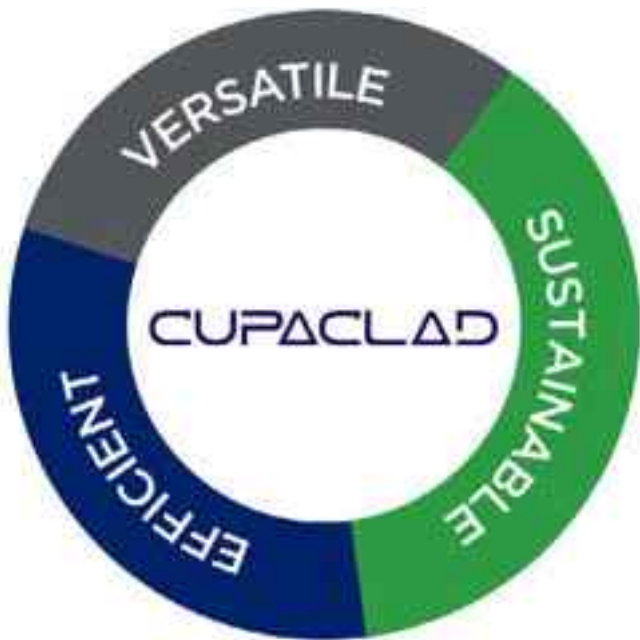
- ① CUPACLAD® Natural slate
- ② 201 - V Clip
- ③ 201 - V horizontal batten
- ④ Vertical "L"
- ⑤ 201-V top profile
- ⑥ Self-tapping screw (substructure)
- ⑦ Metal bracket (fixed point)
- ⑧ Metal bracket (sliding point)



CUPACLAD

Natural slate cladding systems

CUPACLAD® combines the latest installation solutions with our highly durable natural slate. Ventilated cladding systems are innovative, efficient, and sustainable rainscreen solutions.



Certified carbon neutral manufacturing.



Environmentally friendly and sustainable.



Improves energy efficiency.



Accommodates continuous exterior insulation.



Highly durable.



Maintenance free.



Quick and easy to install.



Fits Historic to Contemporary design.



Lightweight and versatile.



Multiple installation options.

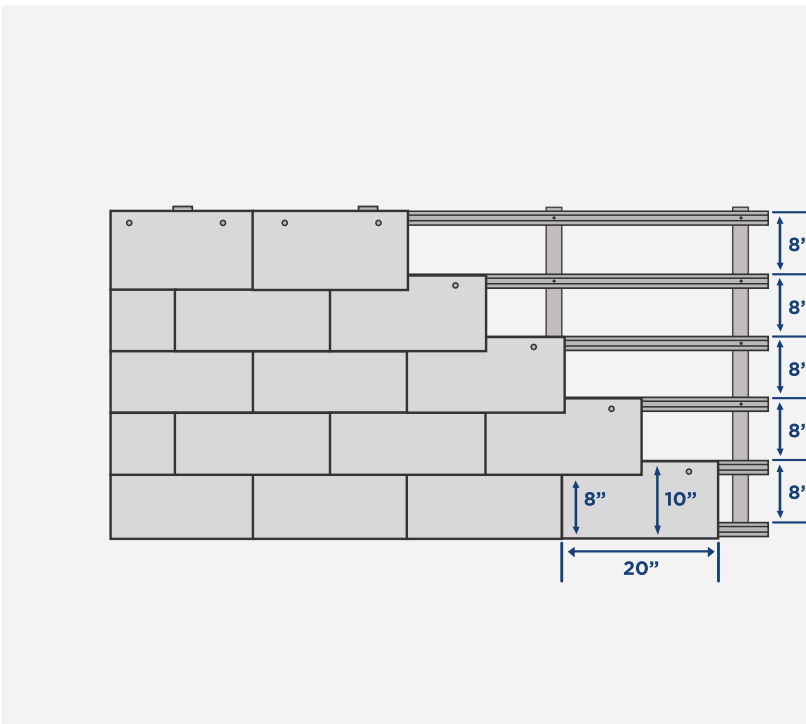




Northern Star Council, Boy Scouts of America, Saint Paul, Minnesota

101 Logic

SIMPLE AND BALANCED



Traditional masonry pattern

	ACTUAL	NOMINAL
Dimensions (w x h)	50 X 25 cm	20" X 10"
Exposure (w X h)	50 X 20 cm	20" X 8"
Thickness	7.65 mm	1/4"-to-3/8"
Slate required to cover 1 ft ²		0.93
Square feet covered by 1 slate		1.08
Weight/ft ² (slate only)		5.48 lbs/ft ²
Weight/ft ² (full rainscreen)		6.80 lbs/ft ²

Traditional masonry pattern

	ACTUAL	NOMINAL
Dimensions (w x h)	40 X 20 cm	16" X 8"
Exposure (w X h)	40 X 15 cm	16" X 6"
Thickness	7.65 mm	1/4"-to-3/8"
Slate required to cover 1 ft ²		1.55
Square feet covered by 1 slate		0.64
Weight/ft ² (slate only)		5.86
Weight/ft ² (full rainscreen)		7.43



Western Carolina University, Cullowhee, North Carolina

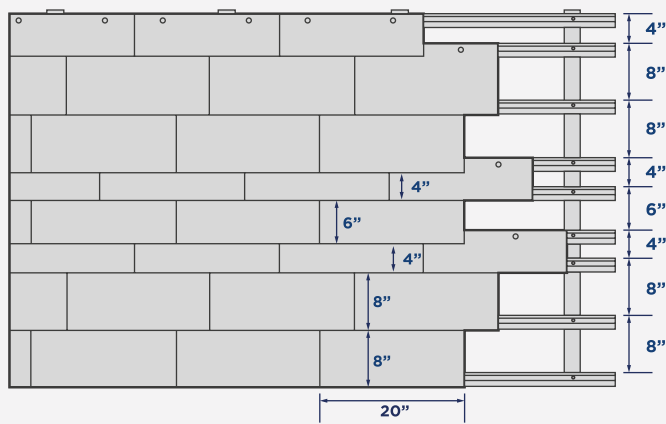


SNHU College of Engineering, Technology & Aeronautics, New Hampshire

101 Random

DYNAMIC AND CREATIVE

An organic pattern is created from 3 slate sizes



	ACTUAL	NOMINAL
Dimensions (w x h)	50 X 25 cm	20" X 10"
	50 X 20 cm	20" X 8"
	50 X 15 cm	20" X 6"
Exposure (w X h)	50 X 20 cm	20" X 8"
	50 X 15 cm	20" X 6"
	50 X 10 cm	20" X 4"
Thickness	7.65 mm	1/4"-to-3/8"
Slate required to cover 1 ft²		1.24
Square feet covered by 1 slate		0.81
Weight/ft² (slate only)		6.58 lbs/ft ²
Weight/ft² (full rainscreen)		8.21 lbs/ft ²



300 Enclave, West Fargo, North Dakota



Beach Retreat, Fernandina, Florida

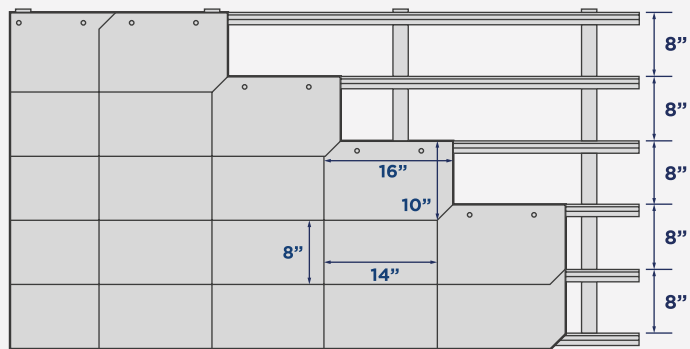


Fairfield - Henrico County Public Library, Richmond, Virginia

101 Parallel

UNIFORM AND REGULAR

This double-lapped installation adds extra texture



	ACTUAL	NOMINAL
Dimensions (w x h)	40 X 25 cm	16" X 10"
Exposure (w X h)	35 X 20 cm	14" X 8"
Thickness	7.65 mm	1/4"-to-3/8"
Slate required to cover 1ft²		1.33
Square feet covered by 1 slate		0.75
Weight/ft² (slate only)		6.15 lbs/ft ²
Weight/ft² (full rainscreen)		7.47 lbs/ft ²



Fairfield Library, East Highland Park, Virginia



Repurposed House, Humboldt Park, Illinois



Pierson Library, Shelburne, Vermont

201 Vanguard

MODERN AND EFFICIENT

Exposed stainless steel clip system

	ACTUAL	NOMINAL
Dimensions (w x h)	60 X 30 cm	24" X 12"
Exposure (w X h)	60 X 26 cm	24" X 10"
Thickness	7.65 mm	1/4"-to-3/8"
Slate required to cover 1ft²		0.59
Square feet covered by 1 slate		1.68
Weight/ft² (slate only)		4.95 lbs/ft ²
Weight/ft² (full rainscreen)		6.05 lbs/ft ²



Madonna University, Livonia, Michigan



Pierson Library, Shelburne, Vermont



CUPACLAD
by CUP4GROUP

2600 Louisville Road
Savannah, Georgia 31415

Ph. 866-421-1171
cupaclad@cupapizarras.com
www.cupaclad.com