



**CUPACLAD**  
by CUPAGROUP

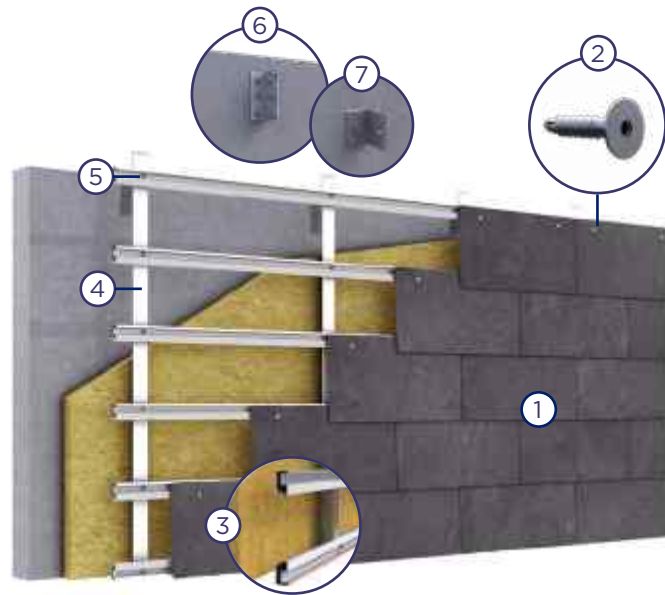
---

NATURAL SLATE RAINSCREEN  
CLADDING SYSTEMS

# SYSTEM COMPONENTS

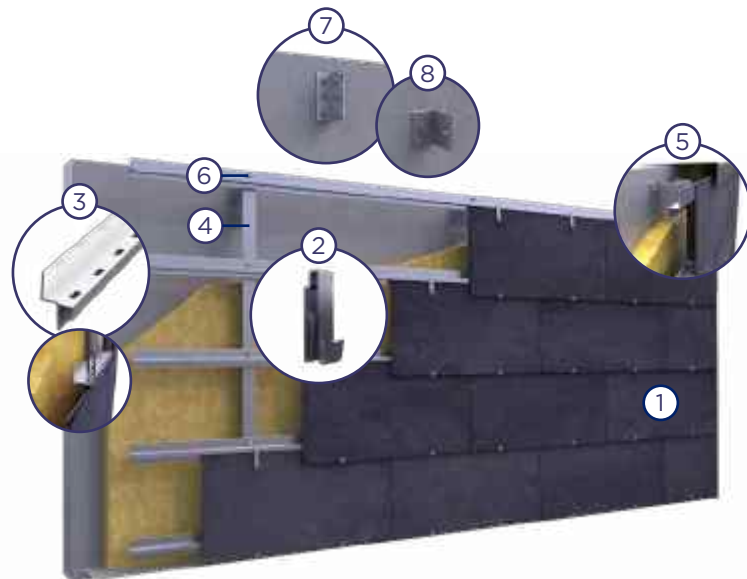
## CUPACLAD® 101 *Logic*

- ① CUPACLAD® Natural slate
- ② 101 self-tapping screw
- ③ 101 horizontal batten
- ④ Vertical "L"
- ⑤ Self-tapping screw (substructure)
- ⑥ Metal bracket (fixed point)
- ⑦ Metal bracket (sliding point)



## CUPACLAD® 201 *Vanguard*

- ① CUPACLAD® Natural slate
- ② 201 - V Clip
- ③ 201 - V horizontal batten
- ④ Vertical "L"
- ⑤ 201-V top profile
- ⑥ Self-tapping screw (substructure)
- ⑦ Metal bracket (fixed point)
- ⑧ Metal bracket (sliding point)

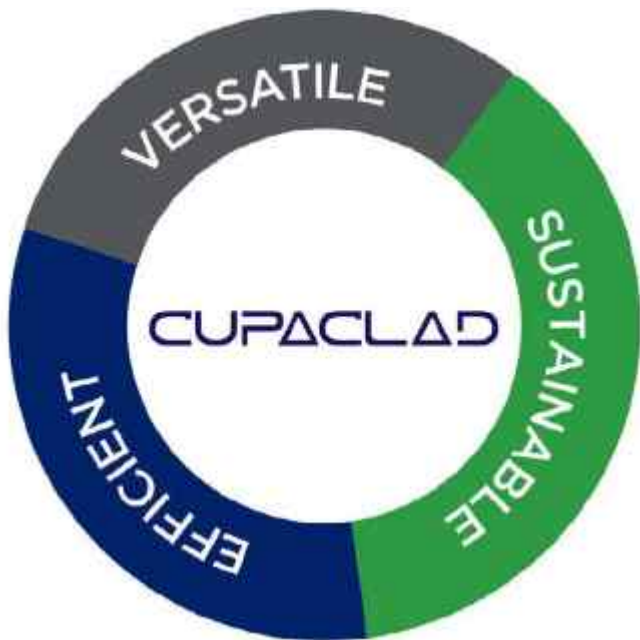




# CUPACLAD

## Natural slate cladding systems

CUPACLAD® combines the latest installation solutions with our highly durable natural slate. Ventilated cladding systems are innovative, efficient, and sustainable rainscreen solutions.



Certified carbon neutral manufacturing.



Environmentally friendly and sustainable.



Improves energy efficiency.



Accommodates continuous exterior insulation.



Highly durable.



Maintenance free.



Quick and easy to install.



Fits Historic to Contemporary design.



Lightweight and versatile.



Multiple installation options.

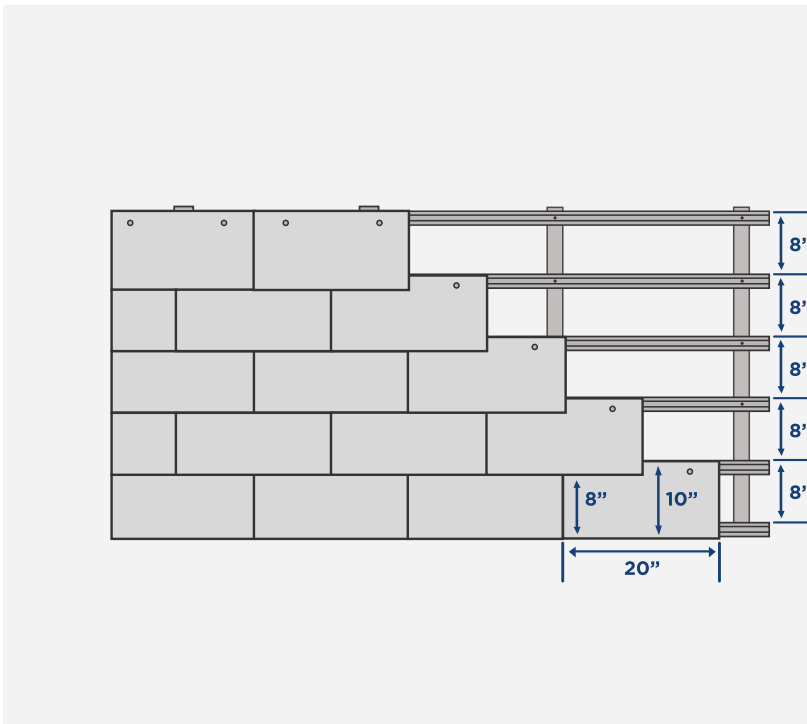




Northern Star Council, Boy Scouts of America, Saint Paul, Minnesota

# 101 Logic

## SIMPLE AND BALANCED



### Traditional masonry pattern

	ACTUAL	NOMINAL
Dimensions (w x h)	50 X 25 cm	20" X 10"
Exposure (w X h)	50 X 20 cm	20" X 8"
Thickness	7.65 mm	1/4"-to-3/8"
Slate required to cover 1 ft <sup>2</sup>		0.93
Square feet covered by 1 slate		1.08
Weight/ft <sup>2</sup> (slate only)		5.48 lbs/ft <sup>2</sup>
Weight/ft <sup>2</sup> (full rainscreen)		6.80 lbs/ft <sup>2</sup>

### Traditional masonry pattern

	ACTUAL	NOMINAL
Dimensions (w x h)	40 X 20 cm	16" X 8"
Exposure (w X h)	40 X 15 cm	16" X 6"
Thickness	7.65 mm	1/4"-to-3/8"
Slate required to cover 1 ft <sup>2</sup>		1.55
Square feet covered by 1 slate		0.64
Weight/ft <sup>2</sup> (slate only)		5.86
Weight/ft <sup>2</sup> (full rainscreen)		7.43



Western Carolina University, Cullowhee, North Carolina

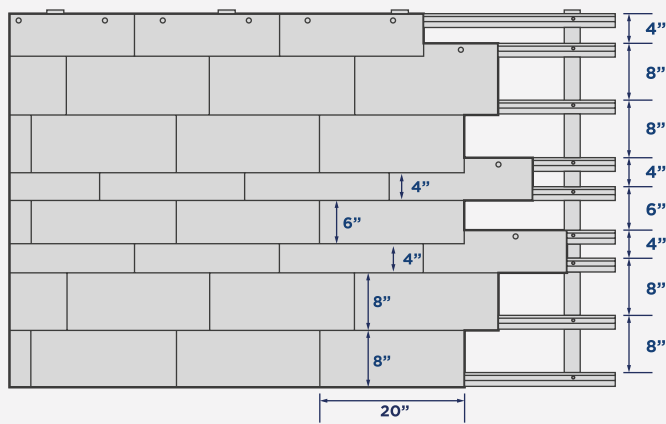


SNHU College of Engineering, Technology & Aeronautics, New Hampshire

# 101 Random

## DYNAMIC AND CREATIVE

An organic pattern is created from 3 slate sizes



	ACTUAL	NOMINAL
<b>Dimensions (w x h)</b>	50 X 25 cm	20" X 10"
	50 X 20 cm	20" X 8"
	50 X 15 cm	20" X 6"
<b>Exposure (w X h)</b>	50 X 20 cm	20" X 8"
	50 X 15 cm	20" X 6"
	50 X 10 cm	20" X 4"
<b>Thickness</b>	7.65 mm	1/4"-to-3/8"
<b>Slate required to cover 1 ft<sup>2</sup></b>		1.24
<b>Square feet covered by 1 slate</b>		0.81
<b>Weight/ft<sup>2</sup> (slate only)</b>		6.58 lbs/ft <sup>2</sup>
<b>Weight/ft<sup>2</sup> (full rainscreen)</b>		8.21 lbs/ft <sup>2</sup>



300 Enclave, West Fargo, North Dakota



Beach Retreat, Fernandina, Florida



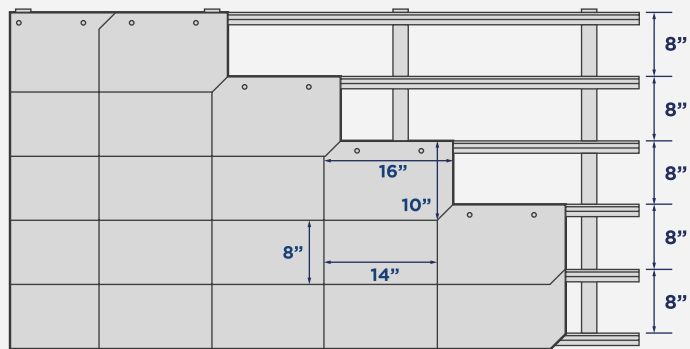


Fairfield - Henrico County Public Library, Richmond, Virginia

# 101 Parallel

## UNIFORM AND REGULAR

This double-lapped installation adds extra texture



	ACTUAL	NOMINAL
<b>Dimensions (w x h)</b>	40 X 25 cm	16" X 10"
<b>Exposure (w X h)</b>	35 X 20 cm	14" X 8"
<b>Thickness</b>	7.65 mm	1/4"-to-3/8"
<b>Slate required to cover 1ft<sup>2</sup></b>		1.33
<b>Square feet covered by 1 slate</b>		0.75
<b>Weight/ft<sup>2</sup> (slate only)</b>		6.15 lbs/ft <sup>2</sup>
<b>Weight/ft<sup>2</sup> (full rainscreen)</b>		7.47 lbs/ft <sup>2</sup>



Fairfield Library, East Highland Park, Virginia



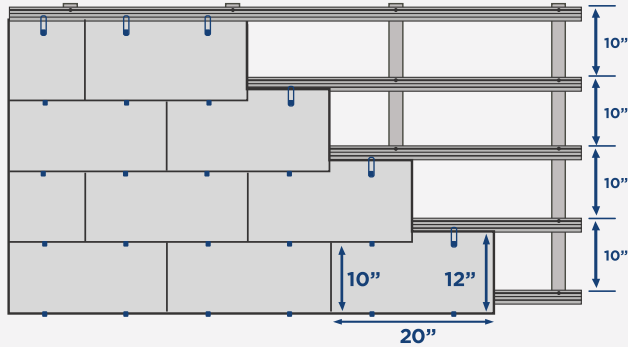
Repurposed House, Humboldt Park, Illinois



Pierson Library, Shelburne, Vermont

# 201 Vanguard

MODERN AND EFFICIENT



Exposed stainless steel clip system

	ACTUAL	NOMINAL
<b>Dimensions (w x h)</b>	60 X 30 cm	24" X 12"
<b>Exposure (w X h)</b>	60 X 26 cm	24" X 10"
<b>Thickness</b>	7.65 mm	1/4"-to-3/8"
<b>Slate required to cover 1ft<sup>2</sup></b>		0.59
<b>Square feet covered by 1 slate</b>		1.68
<b>Weight/ft<sup>2</sup> (slate only)</b>		4.95 lbs/ft <sup>2</sup>
<b>Weight/ft<sup>2</sup> (full rainscreen)</b>		6.05 lbs/ft <sup>2</sup>



Madonna University, Livonia, Michigan



Pierson Library, Shelburne, Vermont





**CUPACLAD**  
by CUP4GROUP

2600 Louisville Road  
Savannah, Georgia 31415

Ph. 866-421-1171  
[cupaclad@cupapizarras.com](mailto:cupaclad@cupapizarras.com)  
[www.cupaclad.com](http://www.cupaclad.com)