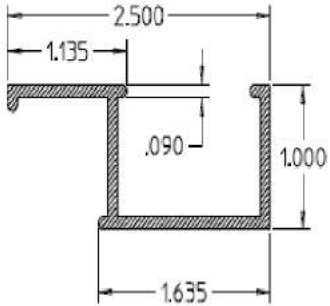


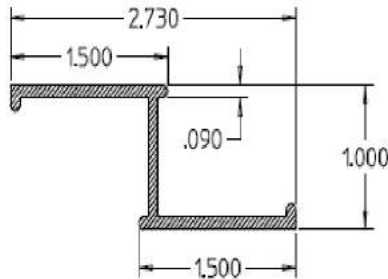


THE BASIS OF DESIGN

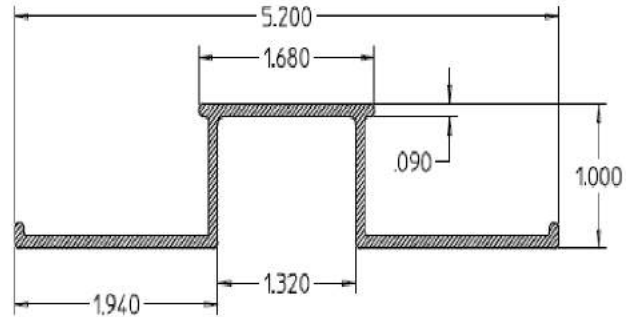
Substructure



CEE-01



ZEE-01



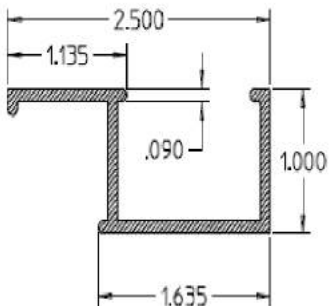
HAT-01

Projection - 1" to 6" (stock 1") Material thickness - .090 or .125 aluminum
Finishes - painted or anodized

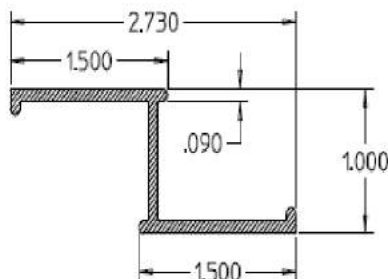


THE BASIS OF DESIGN

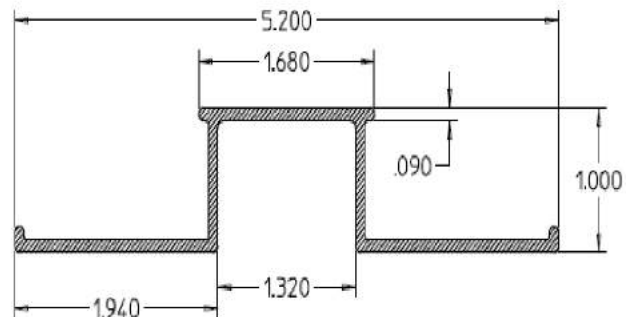
Substructure



CEE-01



ZEE-01



HAT-01

Projection - 1" to 6" (stock 1") Material thickness - .090 or .125 aluminum
Finishes - painted or anodized