

# AMS Armor Lock

The AMS Armor Lock is one of our most commonly specified standing seam panels for low slope applications. This panel offers both superior structural panel performance while maintaining architectural aesthetics, making it a perfect choice for your commercial, industrial, and institutional needs.



## MATERIALS

- Galvanized
- Zincalume Plus
- Aluminum
- Stainless Steel
- Terne Coated Steel
- Cold Rolled Steel
- Copper

## MATERIALS FORMED

- Galvanized 30 Ga.-22 Ga.
- Zincalume 30 Ga.-22 Ga.
- Aluminum .019 - .040
- Copper 16oz. - 20oz.

## TESTING

- UL-580 Class 90 Wind Uplift
- UL-790 Class A Fire Rated
- ASTM 1592
- ASTM E283/1680 Air Infiltration
- ASTM G-23 Type EH Accelerated
- ASTM E331/1646 Water Infiltration

## FINISHES

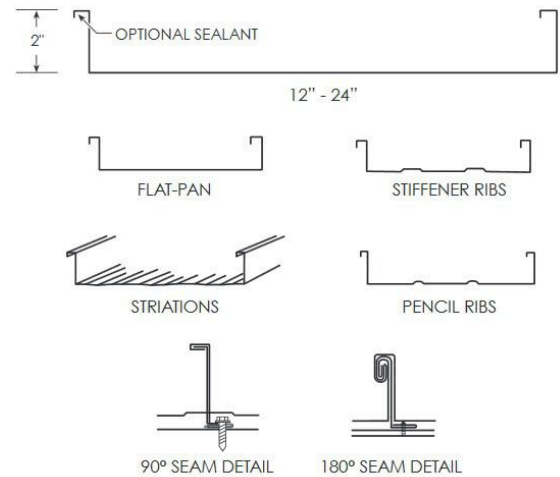
- 53 Kynar Painted Colors
- 33 SMP Colors
- 25 Polyester Colors
- Custom Colors

## Weathering

- ASTM 2274 Humidity Resistance
- ASTM B 117 Salt Spray Resistance
- ASTM D 1808 Chemical/Acid

## Pollution Resistance

- ASTM D 3363 Hardness
- ASTM D 2794 Impact Resistance



The AMS Armor Lock panel offers a variety of features perfect for your architectural projects. It has a 2" leg height and can be produced in continuous lengths while providing structural performance where superior weathertightness is necessary. A single or double lock leg that is mechanically seamed in the field provides an excellent defense against air and water infiltration. This panel also incorporates a concealed fastener clip that removes the need for exposed fasteners and allows for thermal expansion and contraction. AMS Armor Lock can be installed over open framing, solid substrates or rigid insulation. It is backed by a 20 - 40 year paint system warranty. We also offer optional weathertightness warranties



THE BASIS OF DESIGN

[www.ams-wa.com](http://www.ams-wa.com) | 877.950.0005

©2016 AMS